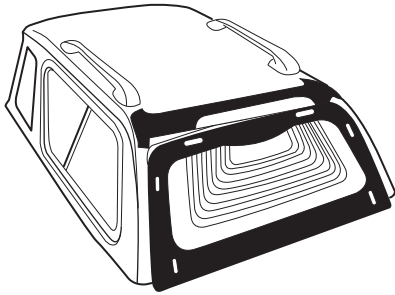
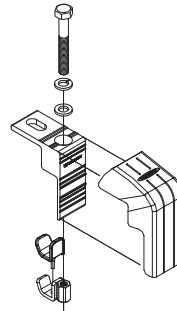


1 A FIBERGLASS CANOPY



2 6 SETS OF KWICK KLAMP S5

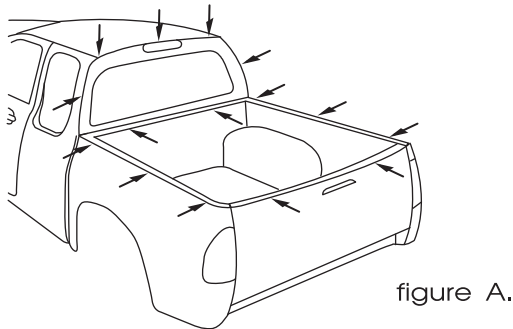


3 1 ROLL OF RUBBER TRUCK BED EDGE

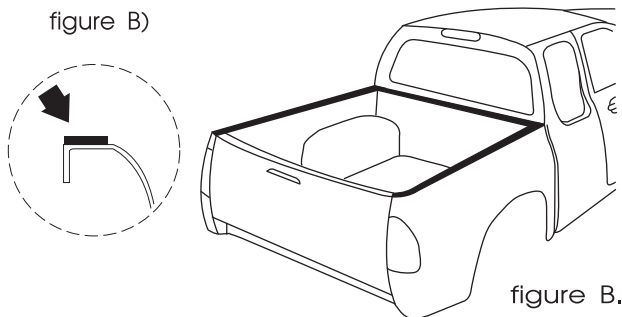


INSTALLATION STEP

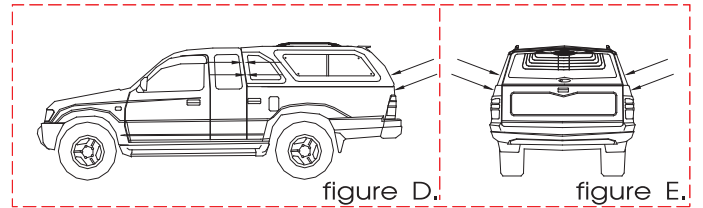
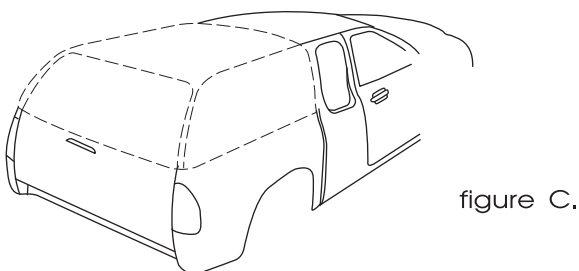
- 1** Clean the pick up especially the truck bed edge and the rear glass. (refers to figure A)



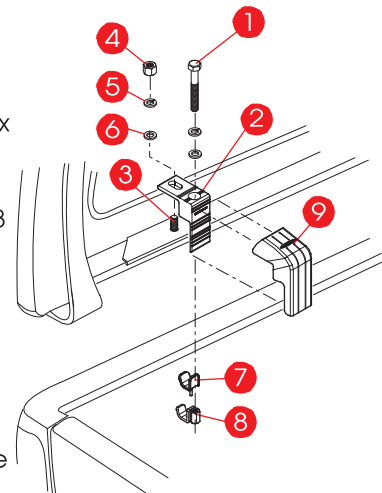
- 2** Attach the rubber stripe support on the sides and the front of the pick up bed. (refers to figure B)



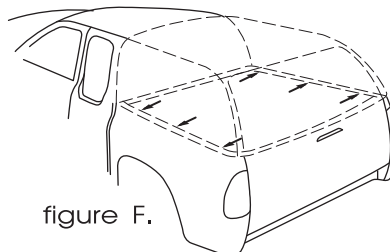
- 3** Put the Fiberglass canopy on the top of the bed edge as per figure C and adjust it properly to be well-fitted to the body. (refers to figure D and E)



- 4** Attach the fiberglass canopy to the truck bed with KWICK KLAMP S4 set by using bolt M8 x 70 **1** on the upper KWICK KLAMP **2**. Insert to the bolt M8 **3**. Tighten up with Nut M8 set **4**, spring washer M8 **5** and plain washer M8 **6**. Then bring the lower KWICK KLAMP rubber support **7** to combine with the lower KWICK KLAMP **8**.



Position of assemble KWICK KLAMP



Then hook it with the bed edge by bolt M8 x 70 **1** tightly. After that cover with the plastic case that is already well-installed KWICK KLAMP at 6 positions.

- 5** In case of having a liner, drilling a hole on the liner by using HOLE SAW with diameter size of 20mm. measuring at the center position.

